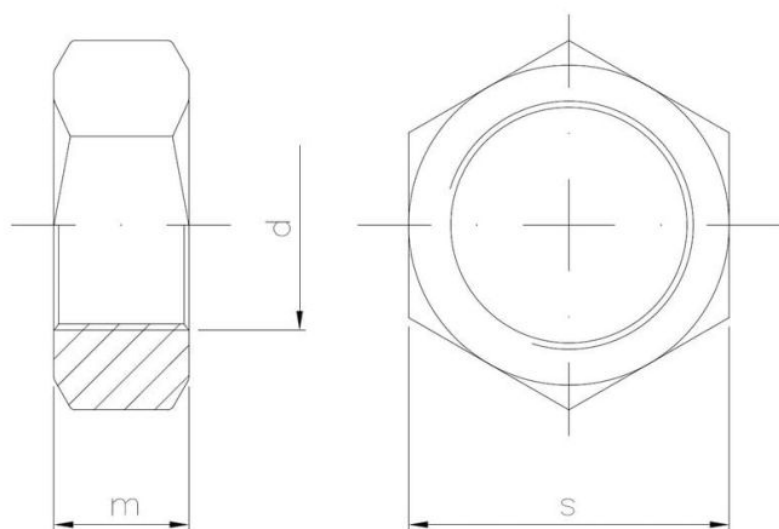
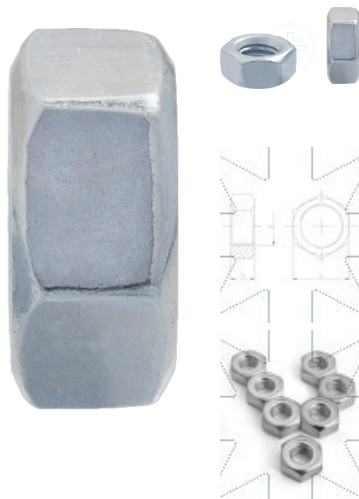
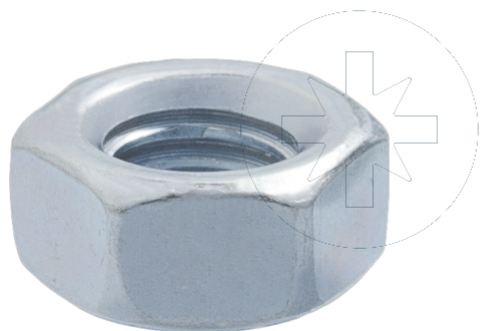


15.01
N6K

Hexagon nuts



SEND THE INQUIRY
+48 58 55 40 410

Standards:

DIN 934
~ISO 4032
PN-M 82144

Class (standard): 6 8 10

Coating (standard): B G S

Coating (special order): A C N R

Dimensions

Material index	d	m [mm]	s [mm]	Mechanical properties class	Type of coating
1501025B08D934T	M2.5	2.2	5.0	8	B (White zinc coating)