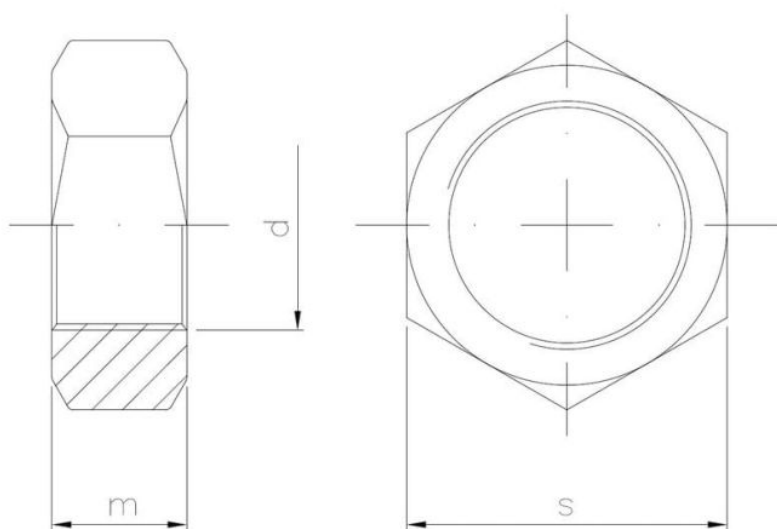
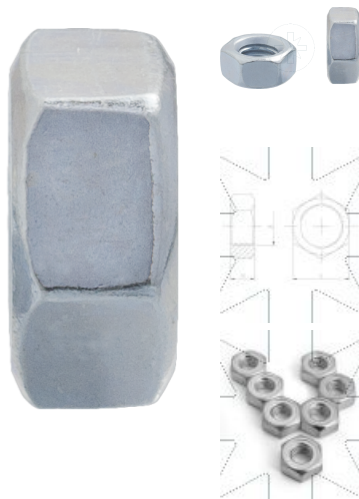
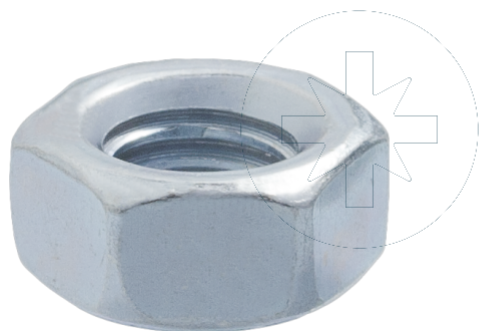


15.01
N6K

Hexagon nuts



SEND THE INQUIRY
+48 58 55 40 410

Standards:

DIN 934
~ISO 4032
PN-M 82144

Class (standard):

Coating (standard):

Coating (special order):

6 8 10

B WHITE ZINC COATING G HDG S RAW PRODUCT

A YELLOW ZINC COATING C BLACK ZINC COATING N NICKEL COATING R GEOMET

Dimensions

Material index	d	m [mm]	s [mm]	Mechanical properties class	Type of coating
1501050BD934T	M5	4.0	8.0	6	B (White zinc coating)