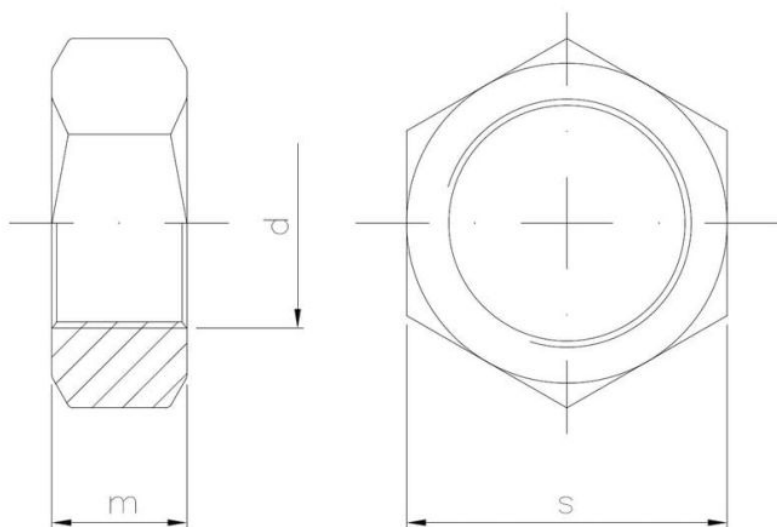
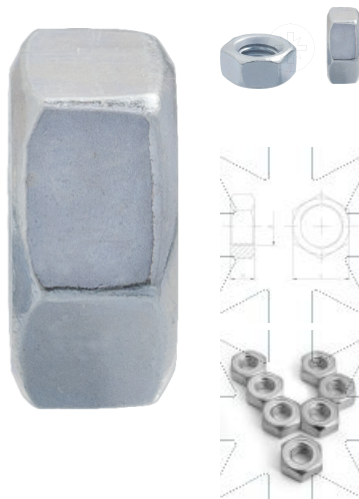
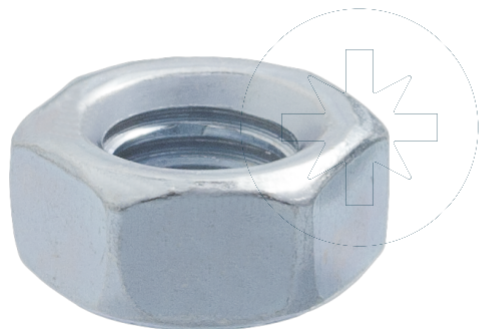


15.01  
N6K

# Hexagon nuts



SEND THE INQUIRY  
+48 58 55 40 410

## Standards:

DIN 934  
~ISO 4032  
PN-M 82144

Class (standard):  6  8  10

Coating (standard):  B  G  S

Coating (special order):  A  C  N  R

## Dimensions

Material index	d	m [mm]	s [mm]	Mechanical properties class	Type of coating
1501080B08D934T	M8	6.5	13.0	8	B (White zinc coating)