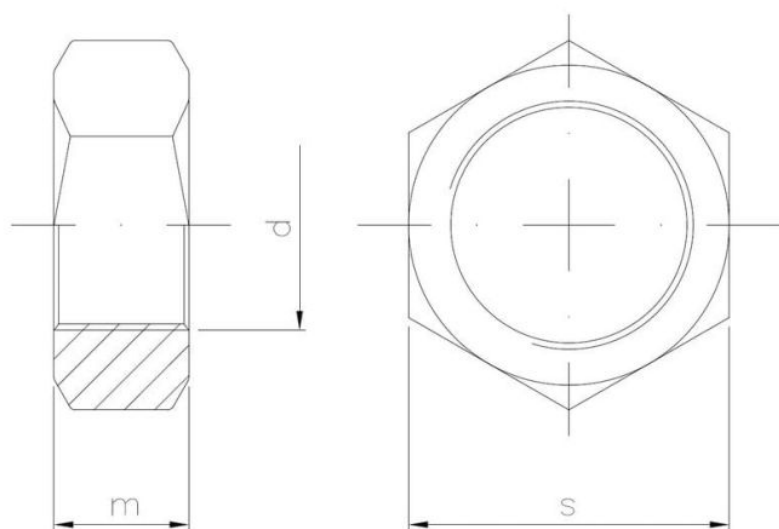
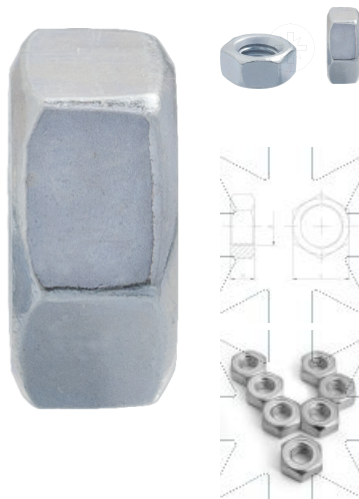
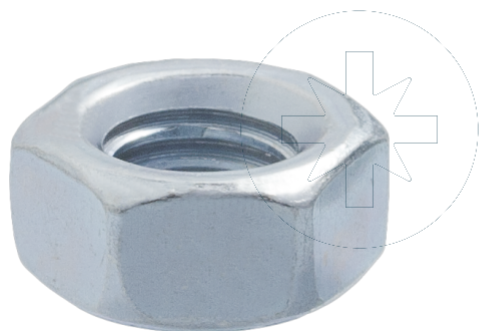


15.01
N6K

Hexagon nuts



SEND THE INQUIRY

+48 58 55 40 410

Standards:

DIN 934
~ISO 4032
PN-M 82144

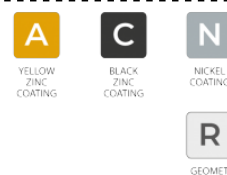
Class (standard):



Coating (standard):



Coating (special order):



Dimensions

Material index	d	m [mm]	s [mm]	Mechanical properties class	Type of coating
1501080BD934T	M8	6.5	13.0	6	B (White zinc coating)