

**15.04**  
**N6S**

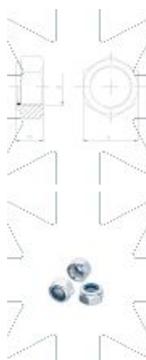
# Hexagon self-locking nylon nut

SEND THE INQUIRY

+48 58 55 40 410

## Standards:

DIN 985, DIN 982  
ISO 7040, ISO 10511  
PN-M 82175



Class (standard):

**6**   **8**   **10**

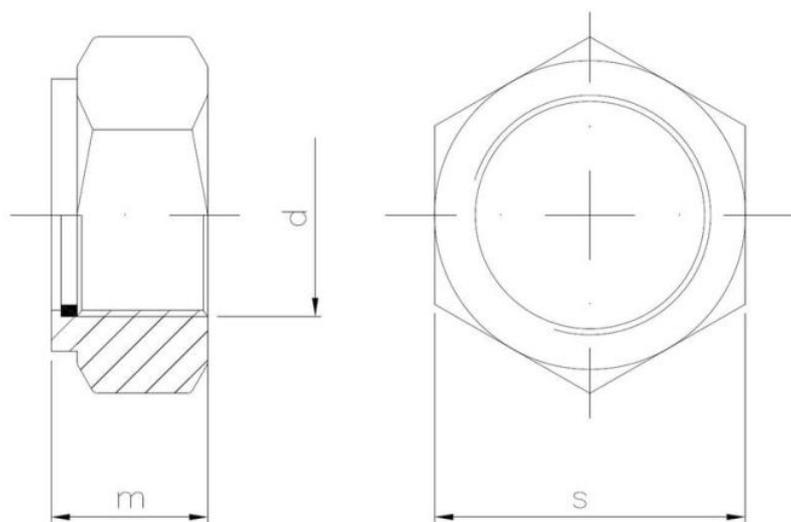
Coating (standard):

**B**  
WHITE  
ZINC  
COATING

Coating (special order):

**A**  
YELLOW  
ZINC  
COATING

**C**  
BLACK  
ZINC  
COATING



## Dimensions

Material index	Norma DIN	d	m [mm]	s [mm]	Mechanical properties class	Type of coating	Jednostka miary
1504030BD985T	DIN 985	M3	4	5.5	6	B (White zinc coating)	TYS