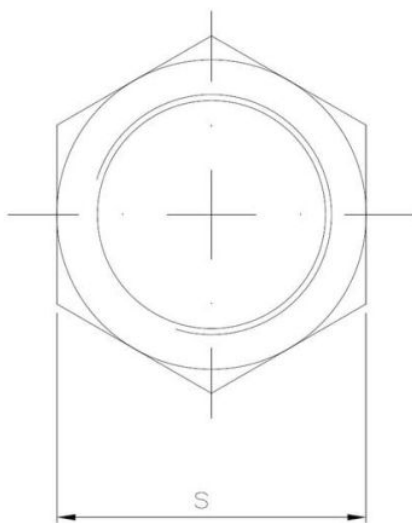
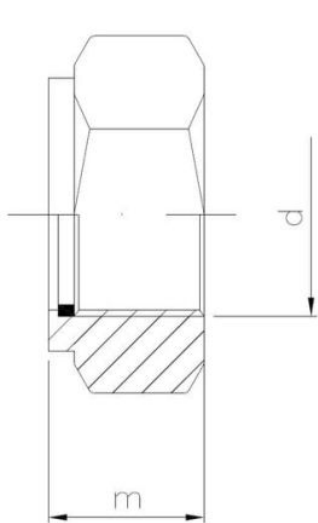
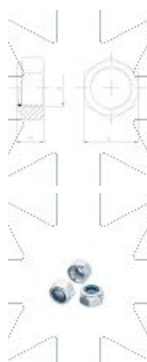


15.04
N6S

Hexagon self-locking nylon nut

SEND THE INQUIRY
+48 58 55 40 410



Standards:

DIN 985, DIN 982
ISO 7040, ISO 10511
PN-M 82175

Class (standard):

- 6
- 8
- 10

Coating (standard):

B
WHITE
ZINC
COATING

Coating (special order):

A
YELLOW
ZINC
COATING

C
BLACK
ZINC
COATING

Dimensions

Material index	Norma DIN	d	m [mm]	s [mm]	Mechanical properties class	Type of coating	Jednostka miary
1504100BD985T	DIN 985	M10	10	17.0	6	B (White zinc coating)	TYS