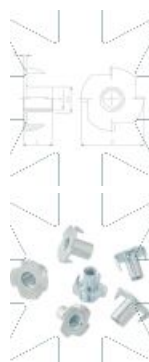
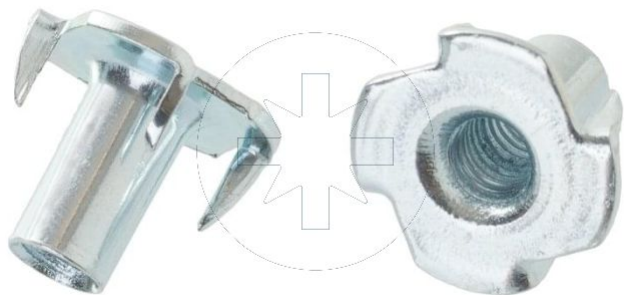


15.11 T - nut
NPM

SEND THE INQUIRY

+48 58 55 40 410



Coating (standard):

B

WHITE
ZINC
COATING

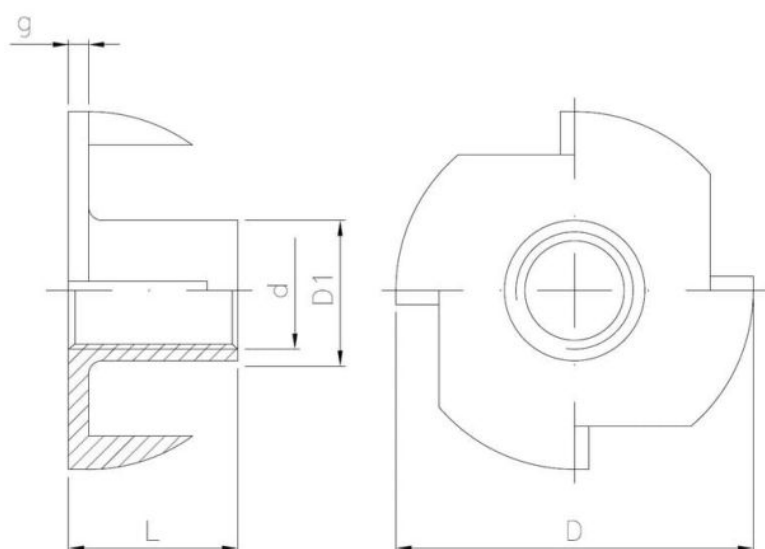
Coating (special order):

A

YELLOW
ZINC
COATING

C

BLACK
ZINC
COATING



Dimensions

Material index	d	L [mm]	D [mm]	D1 [mm]	g [mm]	Type of coating
1511100013BT	M10	13.0	25.4	11.0	1.6	B (White zinc coating)