

15.15  
NRM

# Insert nut with hexagonal socket

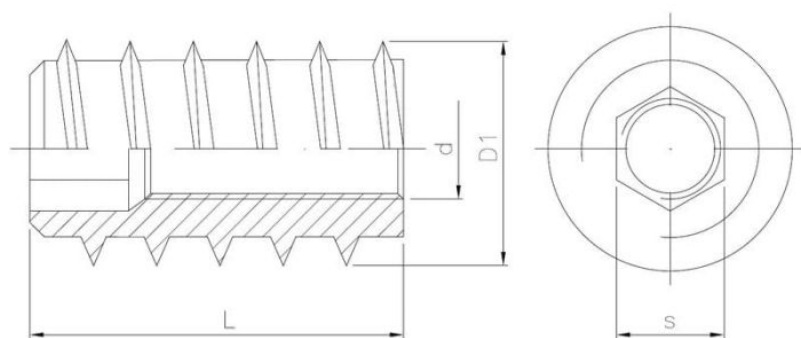
SEND THE INQUIRY  
+48 58 55 40 410



Coating (standard):



Coating (special order):



## Dimensions

Material index	d	L [mm]	D [mm]	s [mm]	Type of coating
1515100185020BT	M10	20	18.5	10.0	B (White zinc coating)