

15.15
NRM

Insert nut with hexagonal socket

SEND THE INQUIRY

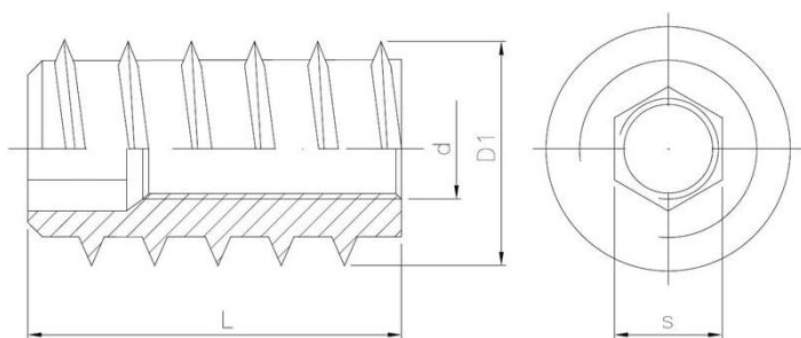
+48 58 55 40 410



Coating (standard):



Coating (special order):



Dimensions

Material index	d	L [mm]	D [mm]	s [mm]	Type of coating
1515100185025BT	M10	25	18.5	10.0	B (White zinc coating)