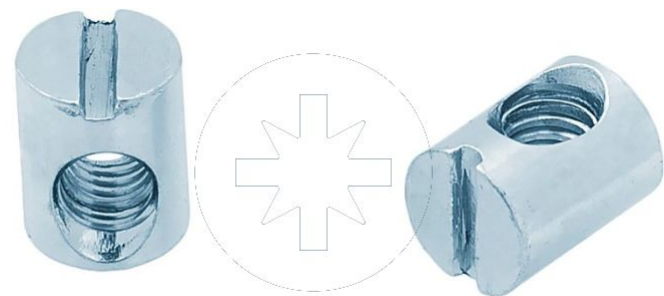


15.18 Asymmetric barrel nut
NW-NS



Coating (standard):



YELLOW ZINC COATING

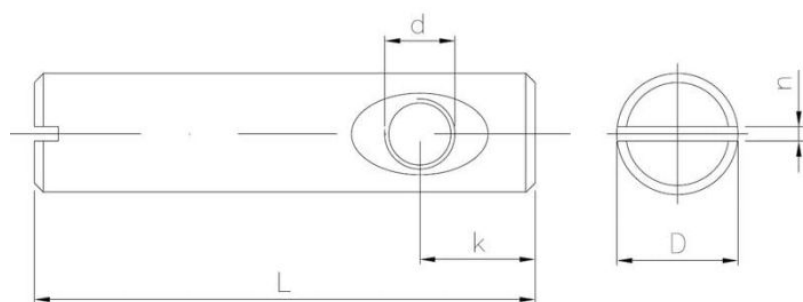


WHITE ZINC COATING

Coating (special order):



RAW PRODUCT



Dimensions

Material index	d	L [mm]	D [mm]	k [mm]	n [mm]	Type of coating
1518100013BT	M6	13	10.0	5	1.6	B (White zinc coating)

SEND THE INQUIRY
+48 58 55 40 410