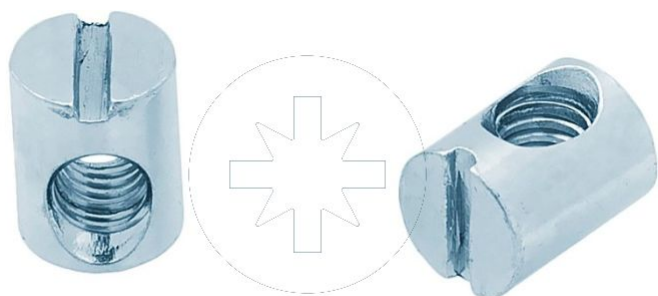


15.18
NW-NS

Asymmetric barrel nut

SEND THE INQUIRY

+48 58 55 40 410



Coating (standard):



YELLOW
ZINC
COATING

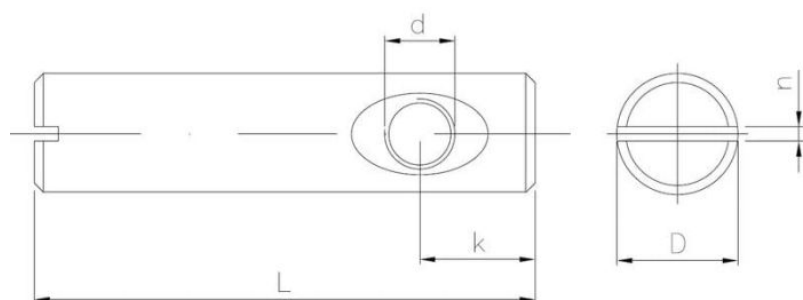


WHITE
ZINC
COATING

Coating (special order):



RAW
PRODUCT



Dimensions

Material index	d	L [mm]	D [mm]	k [mm]	n [mm]	Type of coating
1518100016BT	M6	16	10.0	5	1.6	B (White zinc coating)