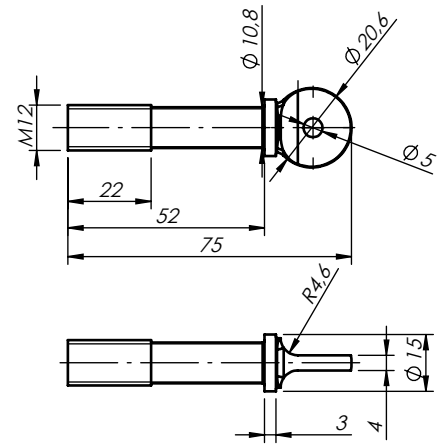
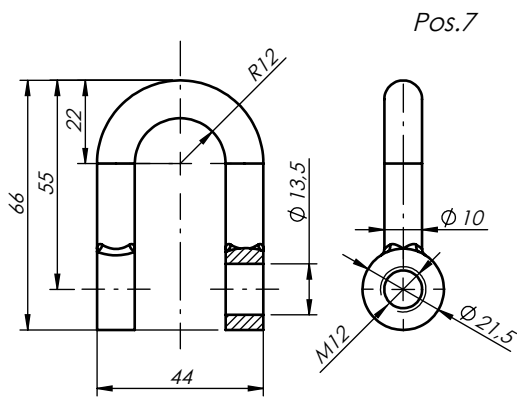
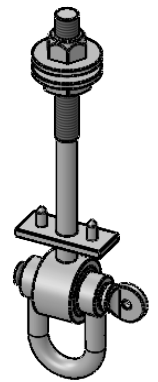
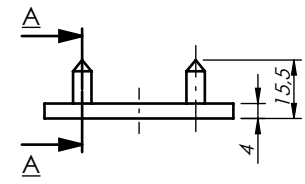
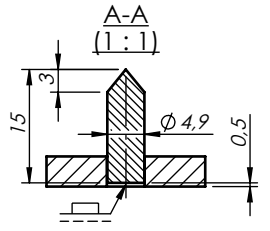
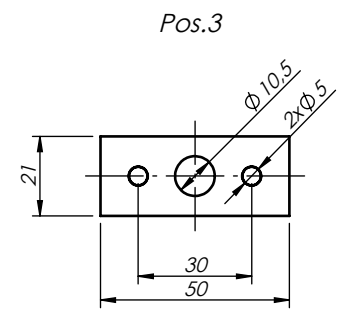
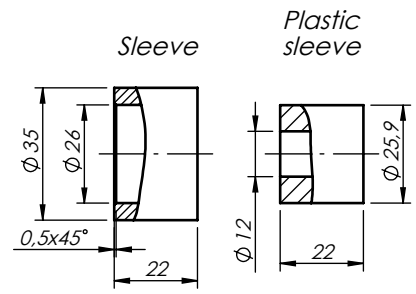
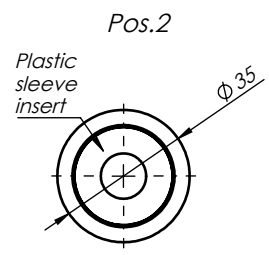
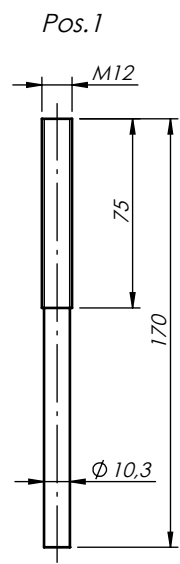
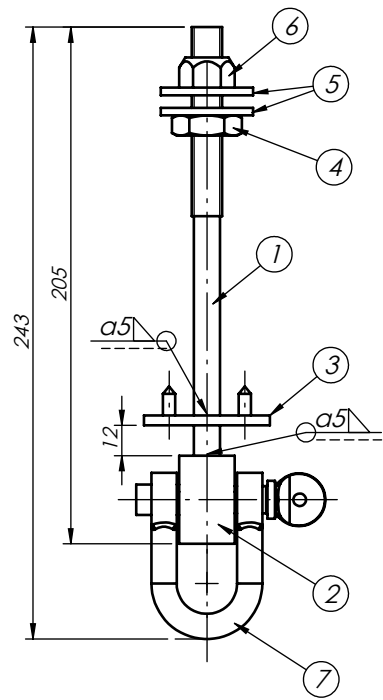


This document is the absolute property of DOMAX Sp. z o.o. This document must not be copied without the written permission of DOMAX Sp. z o.o. The contents thereof must not be disclosed to a third party nor be used for any unauthorized purpose. Contravention will be prosecuted.

Revision				
Rev.	Explanation	Date	Revised by	Approved by



- Note:**  
 1. General tolerances EN 22768 mK.  
 2. Zinc galvanized EN ISO 1461.

Pos.	No.	Name	Description	Material	Weight
7	1	Shackle	SHA	Steel	0.16
6	1	Nut	M12-5 DIN 985	S235	0.01
5	2	Washer	M12 DIN 9021	S235	0.02
4	1	Nut	M12-5 DIN 439	S235	0.01
3	1	Fixing washer	MHD-FW	S235	0.03
2	1	Sleeve	MHD-SL	S235	0.08
1	1	Screw	MHD 130-S	S235	0.11

Design	D.Kozłowski	Checked	-	Approved	-	Note	3.72 dm	
Drawn	D.Kozłowski	Format	A4	Scale	1:3	Material	Weight 466,1 g	
Date	27.09.2021	Swing fixing type "D"					Sheet	1 / 1
Index		MHD 130					Rev	0



MHD 130

DOMAX Sp. z o.o.